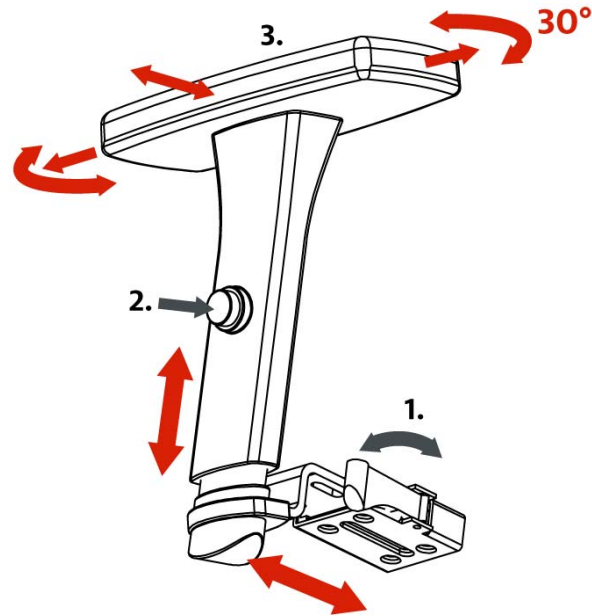


## 89 Armrest instructions



### 1- Width adjustment

Unlock the clamping system by turning the cam lever located under the seat towards the interior of the chair. To increase or decrease width, pull or push the armrest until the desired position is reached. Relock the clamping system by pivoting the cam lever back to its initial position (towards the exterior of the chair). Make sure that the distance between the armrest and the seat is the same on both sides.

### 2- Height adjustment

Push the button located in the middle of the vertical part and slide the armrest up or down to the desired position. Release button. Make sure that both arms are at the same height.

### 3- Arm pad position adjustment

Push or pull them in their forward-rearward or left-right axis and rotate to the desired position.