

Assembly Instructions



STAY IN ACTION

Activ

bouty

ERGONOMIC

EXECUTIVE

CONFERENCE ROOM

MULTI-PURPOSE

LABTEK

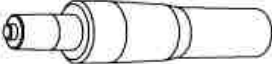
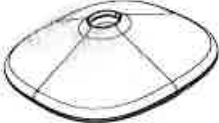


LOUNGE AND
WAITING ROOM

Assembly Instructions

ATTN / ATBN / ATBV / ATBG

Remove all items from the carton. Verify all pieces before assembly.

PARTS LIST

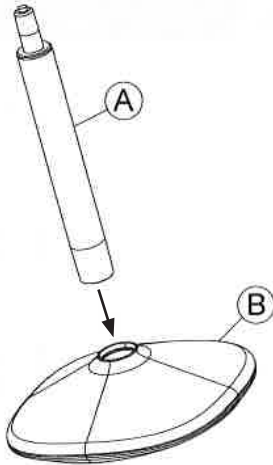
	Description	Part	Qty.
A	Cylinder		1 pcs.
B	Base		1 pcs.
C	Cover		1 pcs.
D	Seat cushion		1 pcs.

Assembly Instructions

ATTN / ATBN / ATBV / ATBG

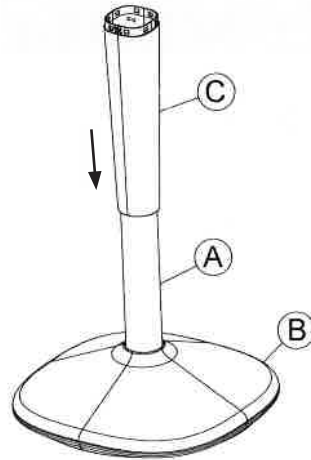
Remove all items from the carton. Verify all pieces before assembly.

STEP 1



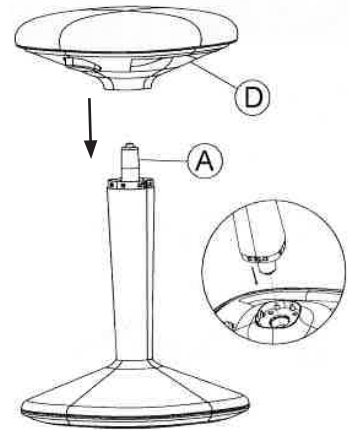
Insert the bottom end of the Cylinder (A) into the center of the Base (B).

STEP 2



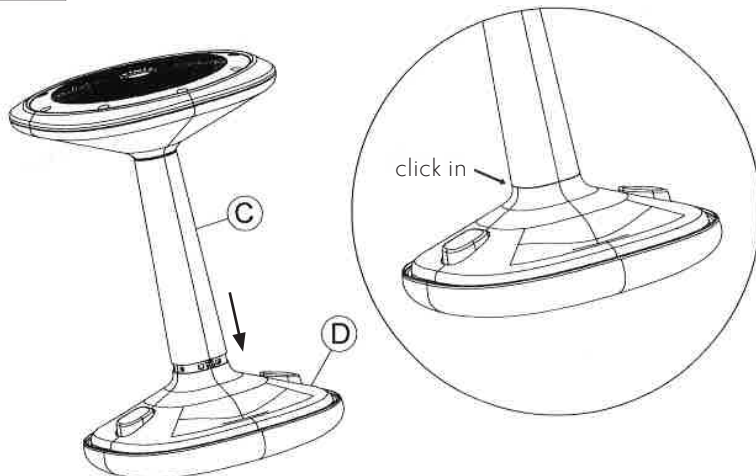
Place Cover (C) into Cylinder (A)

STEP 3



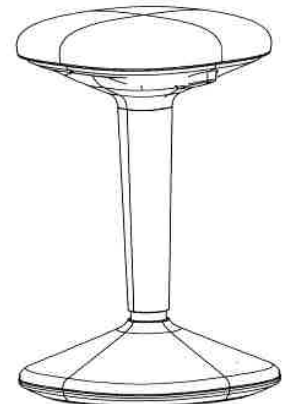
Place seat Cushion (D) into Cylinder (A). Push down firmly until the connection is secured.

STEP 4



Turn chair upside down, put Cover (C) into the Seat Cushion (D) until you hear the click sound and make sure the Cover (C) is placed in fully.

STEP 5



Before using the chair, check all the part are tighten fully for safety and sit down firmly to activate lever to cylinder. Now you can enjoy the comfort of your new chair.